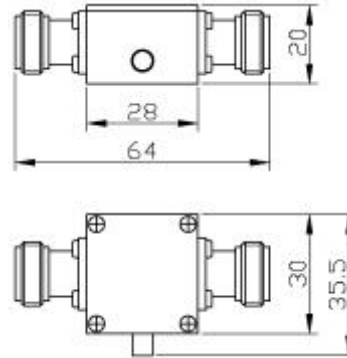


Model UCL-Vaxx-1-20-3-B DC-3GHz 2,5,10 Watts



Pushbutton Step attenuators can be used to adjust the power signal level by step within certain frequency range without power off, they can also be used to adjust the test system's power level as inset attenuators, it is small with high accuracy and high stability etc.

UCL-Vaxx serial B type pushbutton step attenuators' average power 2W, 5W, 10W, frequency range from DC-3GHz, attenuation value 0-90dB by 0.1dB / 1dB/ 10dB step.

MECHANICAL SPECIFICATIONS	
Connectors	Brass Nickel Plated
Female Pin	Beryllium Copper Gold Plated
Housing	Aluminum, Anodic Oxidation
Temp Range	-20°C~+85°C
Dimensions	64×35.5×20mm
Weight	65g

RoHS Compliant: Yes

ELECTRICAL SPECIFICATIONS

Model Number	Frequency Range (GHz)	Attenuation Range (dB)	Attenuation Step (dB)	Attenuation Accuracy(dB)		Max VSWR	Insertion Loss(dB)
				2W/5W	10W		
UCL-Vaxx-1-20-1-B	DC-1	0-20dB in 20dB steps	20	±0.2	±0.4	1.30	≤0.4
UCL-Vaxx-1-20-2.5-B	DC-2.5			±0.4	±0.8		≤0.6
UCL-Vaxx-1-20-3-B	DC-3			±0.5	±1.0		≤0.75

Notes: XX refer to average power in W

NOMINAL IMPEDANCE: 50Ω, 75Ω

AVERAGE POWER: 2W, 5W, 10W

PEAK POWER: 100W (5μs pulse width with 2% duty cycle)

CONNECTOR TYPE: N, SMA, BNC, F

Notes:

1. Dimensions Tolerance ±2%
2. Dimensions and specifications refer to connector type N unless otherwise specified
3. Custom designs available for other special attenuation value & accuracy