



UNIVERSAL COOPERATE LTD.

Model UCL-PS4-100

Four-way Power Splitters

100 Watts GPS L1/L2

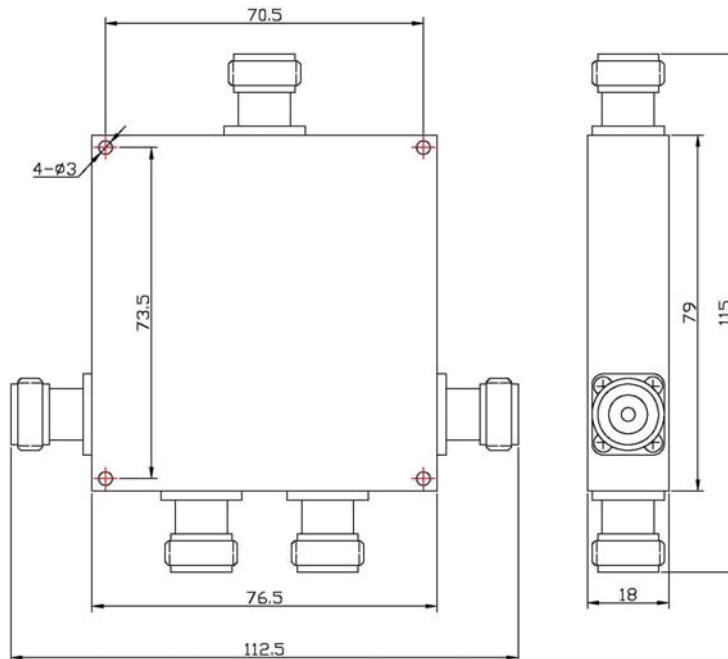


UCL-PS4-100 power splitters are used in GPS-band transmission and reflect coefficient test by separating signals in order to test and accurately distribute one signal to antennas. The features include: small dimensions and light, high power resistance and high temperature.

NOMINAL IMPEDANCE: 50Ω **AVERAGE POWER :** 100W **TEMPERATURE RANGE:** -30°C ~ +60°C; **CONNECTOR TYPE:** N(F)

Model Number	Frequency Range(GHz)	Insertion Loss(dB)	Isolation (dB)	Mainline VSWR	Dimensions (mm)	Weight (Kg)
UCL-PS4-100	GPS L1/L2	≤6.4	≥20	≤1.25	115×112.5×18	0.29

Outline Drawings



- * Dimensions are given in mm and tolerance ±2%.
- ** VSWR varies according to frequency.
- *** VSWR and dimensions refer to connector type N.