



UNIVERSAL COOPERATE LTD.

**Model:** UCL-CW-01(SMA)

**SPDT Coaxial Switch**



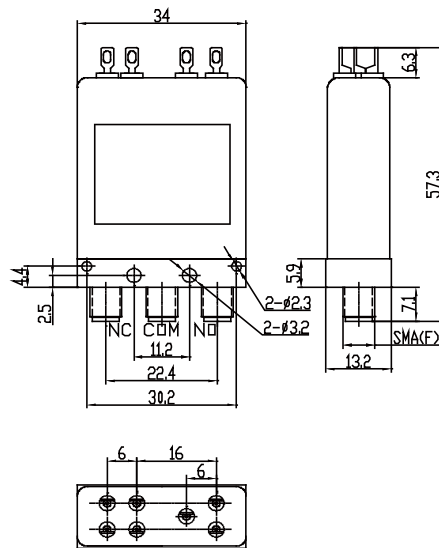
### RF Characteristics

Frequency (GHz)	VSWR	Isolation (dB)	Ins. Loss (dB)
0~2	1.15	90	0.2
2~4	1.2	80	0.2
4~8	1.3	75	0.25
8~12	1.4	65	0.35
12~18	1.5	60	0.4
18~26.5	1.6	50	0.6

### Specifications

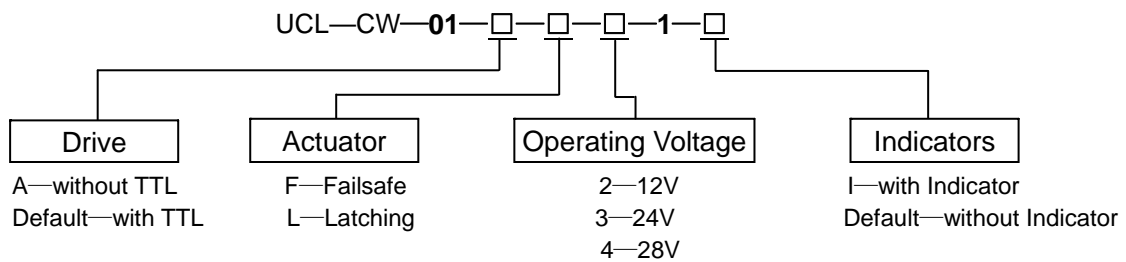
- Operating Voltage :** DC12V, 24V~28V
- Operating Current :** 190mA/DC12V, 80mA/DC24~28V
- Switch Time :** ≤15ms
- Operating Tem. :** -40° C~+85° C
- Storage Tem. :** -55° C~+85° C
- Mechanical Life :** ≥10<sup>6</sup>
- Drive Voltage :** 2~5V
- Drive Current :** 0.02~0.8mA
- Impedance :** 50 Ω
- Connector Type :** SMA
- Dimensions :** 34×13.2×57.3mm
- Weight :** 38g

### Mechanical



UCL-CW-01-01-L-2/3/4-1-I Shown

### Model Number Selection



Example:

UL-CW-01-F-3-1 means SPDT failsafe coaxial switch with operating voltage 24V,connector type SMA,with indictor.

\* Dimensions Tolerance ±2%  
\*\* Custom designs available.